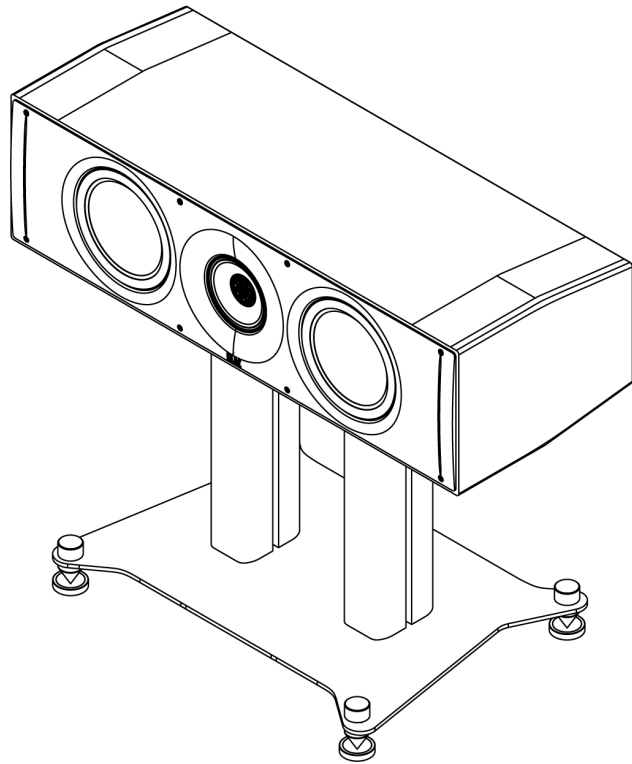
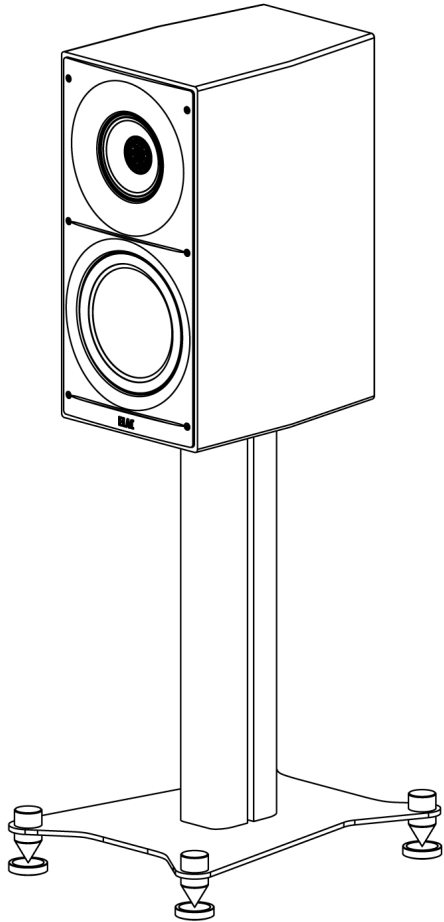


Adante. Power. Gracefully refined.



ABST-101-BK SPEAKER STAND
ACST-101-BK CENTER CHANNEL STAND

ASSEMBLY INSTRUCTIONS

ELAC The life of sound.

Safety Instructions

1. General information

- Please read and follow these safety instructions.
- Keep them safe for future reference.
- Observe all warnings in the manual. Please check the stand for damage before use. The stand must be in perfect working condition. Damaged parts may lead to personal injury.

2. Use only as directed

- Assemble the stand according to the instructions in the manual.
- These speaker stands are equipped with spikes. They are explicitly provided for levelling the stand. For levelling on an uneven floor, unscrew the spikes or by 2-3 turns of thread. The speaker should always be in perfect vertical alignment: the stability of the speaker must not be compromised by using spikes as the speaker may tip-over.

3. Location

- Install the stands on a level surface only

WARNING! Please ensure the product is perfectly stable to avoid injury from tip-over. Please note, that stability can be increased by using the included spikes on carpeted surfaces. However, the mounting of spikes must be carried out carefully due to their very sharp ends which may cause injuries. The stability on slippery floors can be increased by using Velcro fastening tape or double-sided adhesive tape.

4. Cleaning

NOTE: Clean only with soft, smooth cloth or with a dust brush. Do not use scouring agents, alcohol, benzene, furniture polish or other agents for cleaning!

Philosophy

Thank you for purchasing this ELAC product.

Since the time we started (1926), ELAC has always striven to achieve the very best.

Your new ELAC product is built to the highest standards using high-quality components that are carefully constructed to deliver the best-in-class quality. They are developed by a passionate group of individuals whose soul purpose is to bring a new dimension of sound quality into your home. Enjoy!

Before Use

Avoid damage to the stands and other components:

- Carefully unbox the stands carefully to avoid physically damaging your stands or surrounding items.

ABST-101-BK Speaker Stand Assembly Diagram

Please use the diagram below to assemble the Adante Bookshelf Speaker stand. The included spikes improve stability on uneven surfaces and thickly carpeted floors. Please use caution when dealing with the spikes as they are sharp. A phillips head screw driver is necessary for installation.

IMPORTANT: When using these spikes on hard surfaces such as wood or tile floors be sure to use the provided floor discs to protect your floor from damage.

1

IMPORTANT: The parts of this speaker stand are heavy. Please use caution when assembling this stand. Begin by assembling the center posts to the steel bottom plate using the supplied screws (All of the screws are the same). The center post with the wire run hole should be facing the rear with the hole on the top.

2

Once both center posts have been mounted to the bottom plate attach the top plate with the supplied screws as shown in step 2.

3

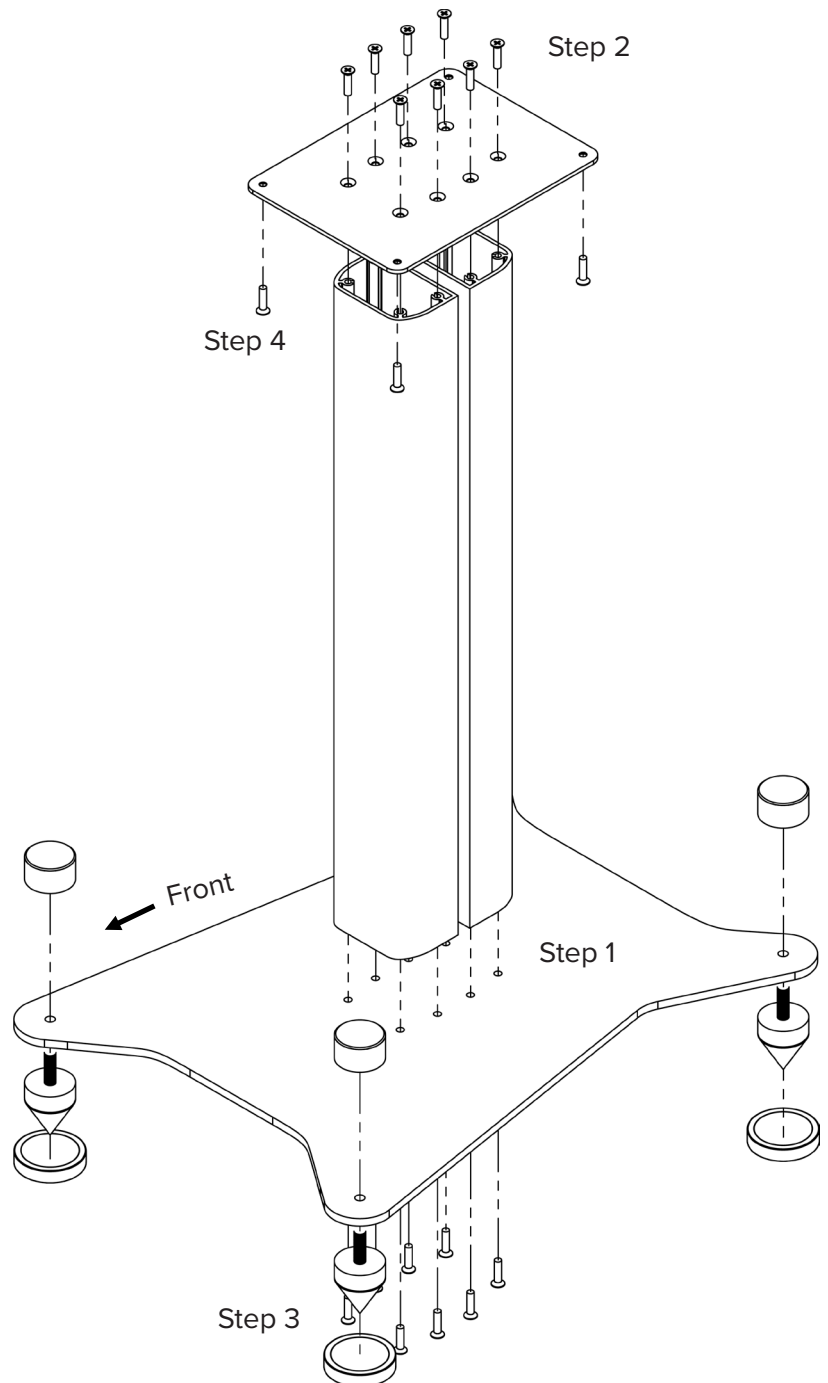
Attach the spikes and top caps to the bottom steel plate as shown in the diagram to the right. Please be careful when picking up the speaker stand. It is very HEAVY!.

4

Next place the Adante Bookshelf speaker on the top plate and securely attach the speaker to the stand using the supplied screws. We highly recommend using a second person for this step to ensure that the speaker does not fall.

5

Once the speaker has been moved to the final location, adjust the spikes until the speaker is level. To adjust the spikes, loosen the top cap and lower locking disc. Turn the spikes until the stand is both level and does not rock. Finally lock the spikes in position by tightening the lower locking disc and upper top cap.



ACST-101-BK Speaker Stand Assembly Diagram

Please use the diagram below to assemble the Adante Center Speaker stand. The included spikes improve stability on uneven surfaces and thickly carpeted floors. Please use caution when dealing with the spikes as they are sharp. A phillips head screw driver is necessary for installation.

IMPORTANT: When using these spikes on hard surfaces such as wood or tile floors be sure to use the provided floor discs to protect your floor from damage.

1

IMPORTANT: The parts of this speaker stand are heavy. Please use caution when assembling this stand. Begin by assembling the center posts to the steel bottom plate using the supplied screws (All of the screws are the same). The center post with the wire run hole should be facing the rear with the hole on the top.

2

Once both center posts have been mounted to the bottom plate attach the top plate with the supplied screws as shown in step 2.

3

Attach the spikes and top caps to the bottom steel plate as shown in the diagram to the right. Please be careful when picking up the speaker stand. It is very HEAVY!.

4

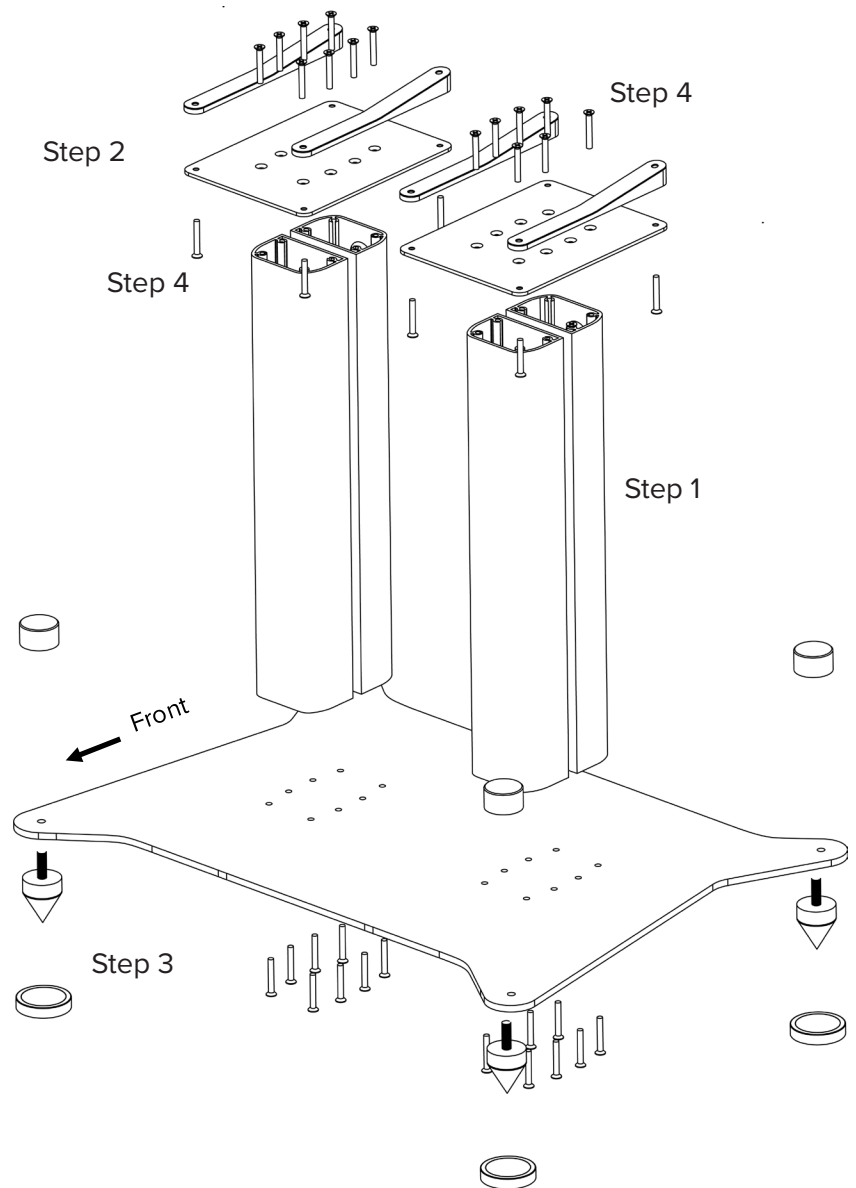
Place the center speaker levelers (Included with the Adante Center Speaker) on the top plates so that they are aligned with the speaker mounting holes.

5

Next place the Adante Center speaker on the top plate (with speaker levelers) and securely attach the speaker to the stand using the supplied screws (Longer Screws provided. **Do not over tighten!**). We highly recommend using a second person for this step to ensure that the speaker does not fall.

6

Once the speaker has been moved to the final location, adjust the spikes until the speaker is level. To adjust the spikes, loosen the top cap and lower locking disc. Turn the spikes until the stand is both level and does not rock. Finally lock the spikes in position by tightening the lower locking disc and upper top cap.



SPECIFICATIONS

Model	ABST-101-BK	ACST-101-BK
Finish	Brushed Black Aluminum and Painted Black Steel	Brushed Black Aluminum and Painted Black Steel
Height	23.12 in / 587 mm	19.16 in / 486.6mm
Width	13.75 in / 349.4 mm	23.82 in / 605 mm
Depth	18.04 in / 458.2 mm	18.04 in / 458.2 mm

ELAC Americas Inc.
North America Limited Liability Warranty
Speaker Stands

ELAC Americas Inc. warrants to the original purchaser that this product be free from defects and or workmanship for a period of 5 (Five) years from the original date of purchase. During this time period, repair or replacement of parts will be free of charge to the original owner (See below limitations). Shipping to and return from the repair center will be the responsibility of the original purchaser.

Limitations

- Warranty begins on the date of original purchase from an authorized ELAC Americas Inc. dealer.
- Product is warranted only if used in home applications within the max power rating specified in this manual. Commercial use of this product is not warranted.
- Product that has been modified or altered in anyway will not be warranted.
- Product that has been abused or subjected to faulty equipment will not be warranted.
- Products with defaced or removed serial numbers will not be warranted.

If service is required

In the event that service is required, please contact ELAC America at 714-252-8843 or at customerservice@elac.us to arrange for service or replacement. You will be responsible to provide proof of purchase (Copy or original sales receipt). Shipping to and from our repair center will be the responsibility of the original purchaser.

Warranty Outside of North America

This warranty applies to products purchased in the United States and Canada. For warranty claims outside of North America please contact the local dealer/distributor in the country of purchase.

ELAC The life of sound.

ELAC AMERICAS INC.
11145 KNOTT AVE. SUITES E & F
CYPRESS, CA. 90630

ELAC ELECTROACUSTIC GMBH
FRAUNHOFERSTRASSE 16
D-24118 KIEL, GERMANY